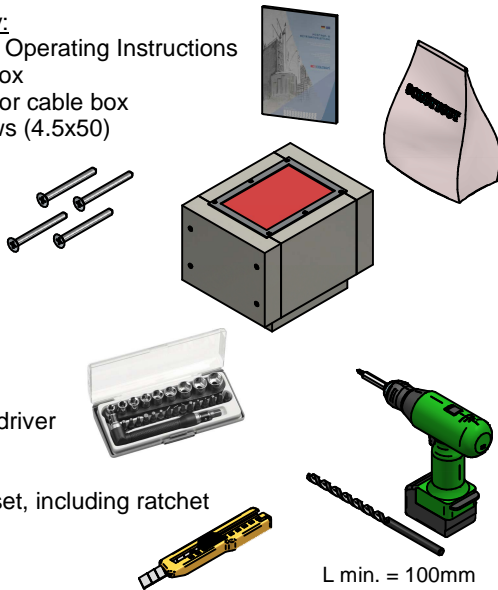


1 Check accessories for completeness:

Scope of delivery:

- A. Assembly and Operating Instructions
- B. CS 90 cable box
- C. bulk material for cable box
- D. 4x fixing screws (4.5x50)



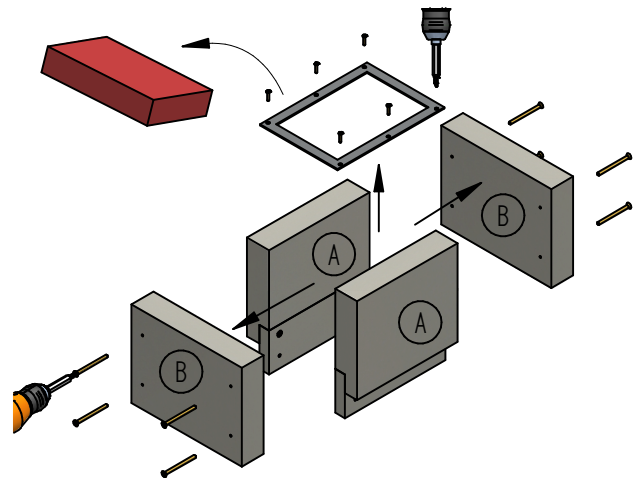
Tools required:

- Cordless screwdriver
- Cordless drill
- Utility knife
- Bit and socket set, including ratchet wrench

L min. = 100mm

2 Prepare cable box

- remove fire protection cushion
- remove cable entry sheet metal (cordless screwdriver)
- remove side panels without lengthwise mounting strips of cable box (cordless screwdriver)



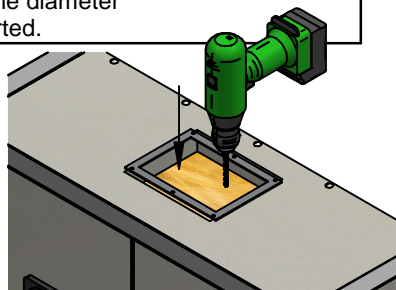
3 Drill holes for cables in the insulation in the top of the enclosure

- place removed sheet metal centered onto the cutout in the top of the enclosure
- pre-drill cable holes according to the desired cable position through the mineral wool

Attention:

Observe the minimum distance:

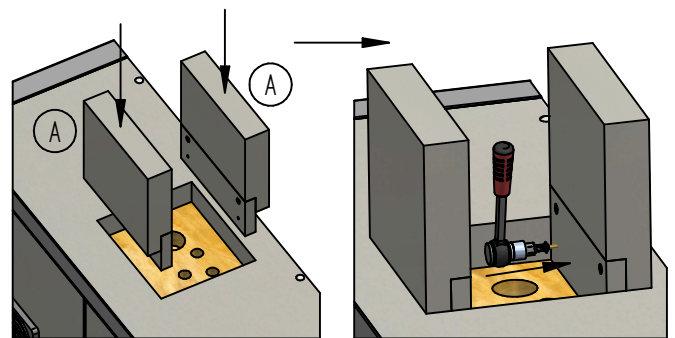
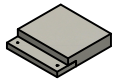
- distance from cable to edge of cable entry plate: ≥ 2 mm
- between the cables ≥ 4 mm
- The diameter of the drill holes must be 2 mm smaller than the diameter of the cables to be inserted.



4 Install the lengthwise mounting strips

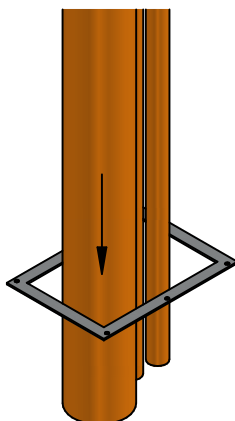
- Attach the long sides of the cable box from step 2 to the lid one after the other using the included screws (4.5x50) (use a ratchet if necessary)

2 pcs
side panels
cable box



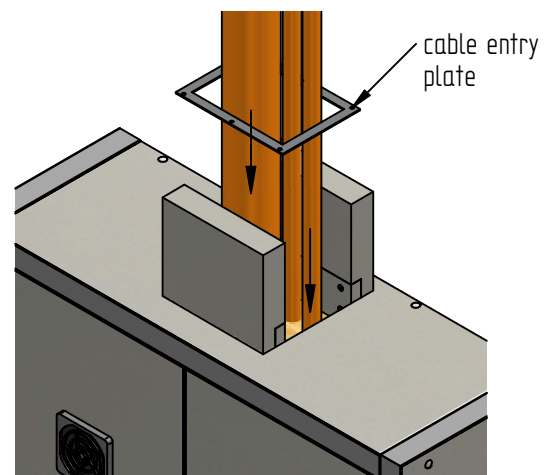
5 Route cables through the sheet metal

- Route cables through the cable entry plate



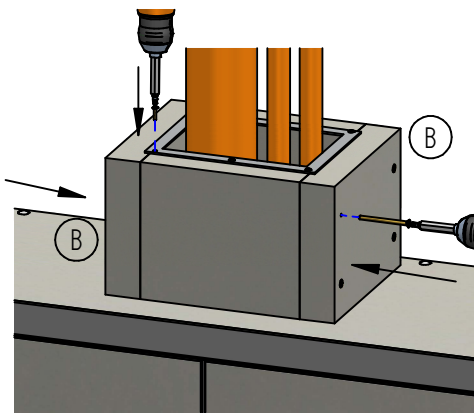
6 Route cables into the fire protection enclosure

- Route the cable through the pre-drilled holes from step 3 into the inside of the enclosure.

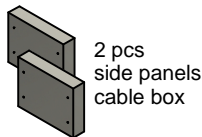


7 Securing the cable box with screws

- Reattach the cable box with the side panels removed from step 2 using screws
- Reattach the cable entry plate using the removed screws from step 2



4 pcs 4.5x60



2 pcs side panels cable box

6 pcs 3x15 round-head screw

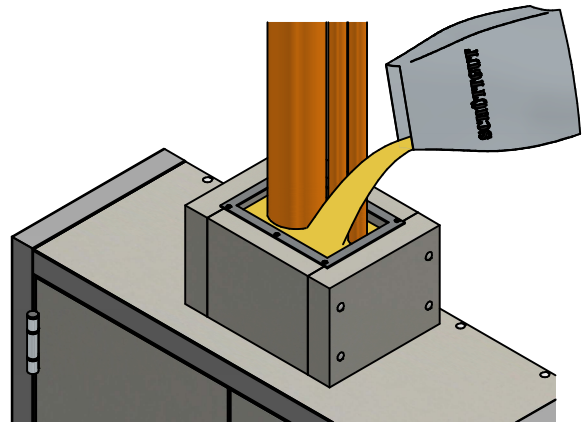


cable entry plate



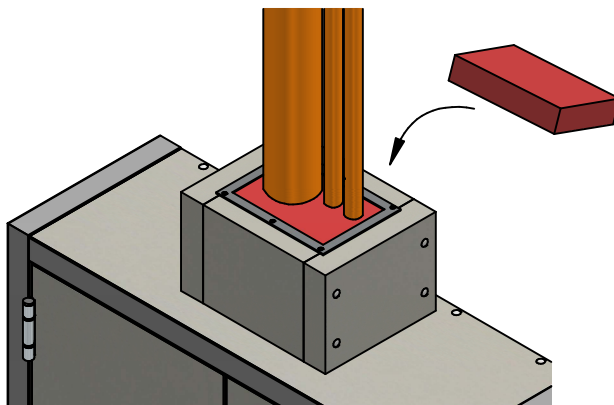
8 Pour in the bulk material around the cables into the cable box evenly

- Leave approximately 40 mm of space between the bulk material and the bottom edge of the cable entry plate for the fire protection cushion



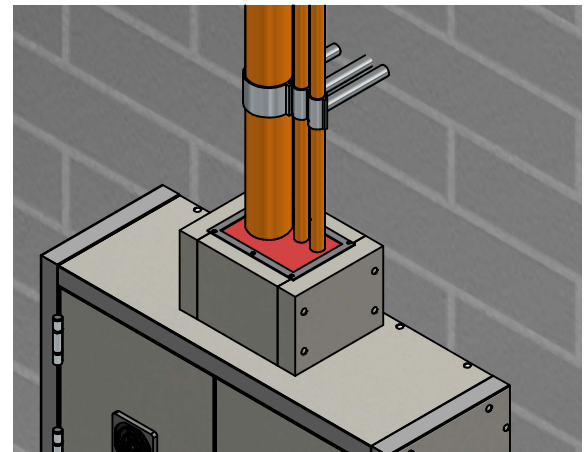
9 Insert fire protection cushion

- Press the fire protection cushion into the space between the bulk material and the cable entry plate
- > cables must be fully enclosed (the fire protection cushion can be split if necessary)



10 Attach the cables to the wall

- Secure the cables to the wall according to the applicable standards (illustration for demonstration purposes only)



11 Final check

- Check the position of the fire protection cushion
- Check that the cable box is securely fastened

