

1 Check accessories for completeness:

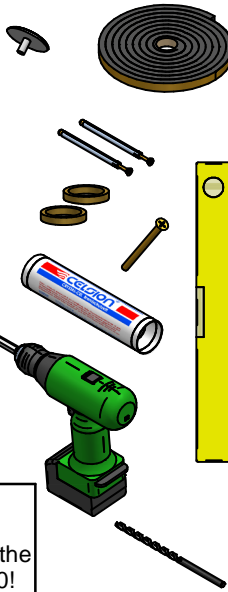
scope of delivery:

- A. Assembly and operating instructions
- B. Smoke seal (closure seal)
- C. Screw cover caps
- D. Hinge rings (1 or 2 pcs.)
- E. Two-way key bit
- F. 2 pcs. fasteners
- G. Conformity labeling for the installer
- H. Fixing screws (4.5 x 60)
 - Side module to cover module
 - Side module to cover module
 - Cover module to side module
- I. Crystal Cel

Required tools:

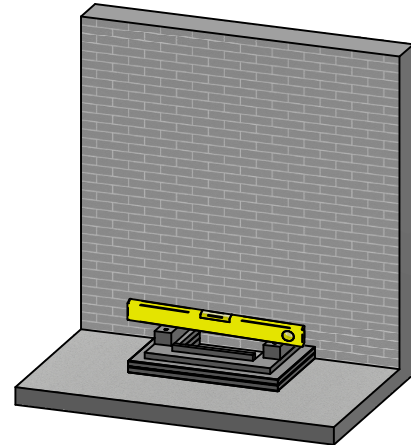
- Spirit level
- Masonry drill \varnothing 10
- Cordless screwdriver/
Cordless drill

Caution:
2-3 people are required to set up the Violution Modus 90!



2 Set up base module

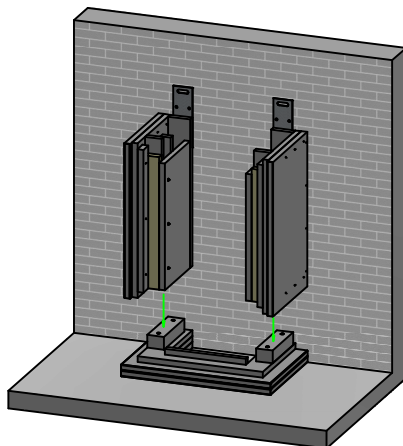
Level the base module on a clean, solid, non-flammable floor*.



* if the floor is too uneven, if necessary, level the floor before starting the assembly

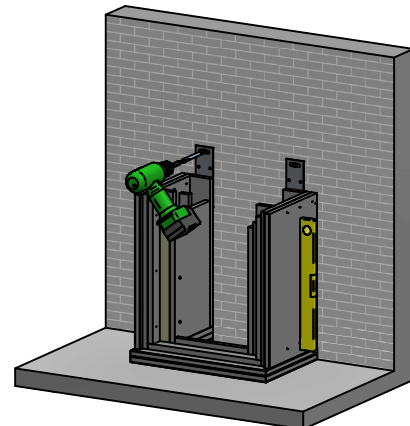
3 Place side modules

Place side modules vertically on the tenons of the base module



4 Fastening side modules

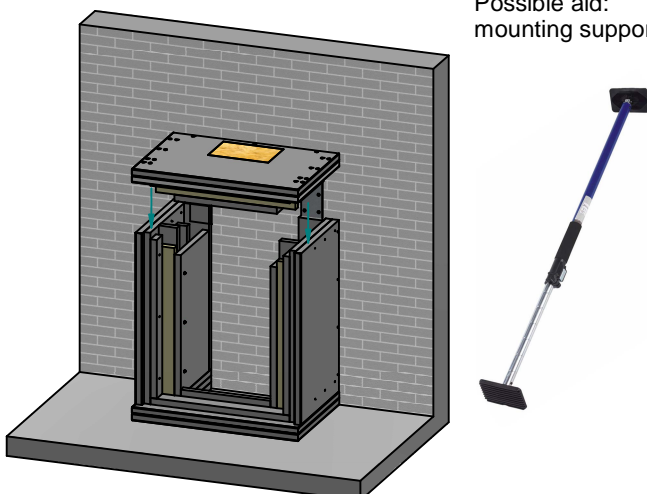
Align the side modules and fix them, through the slotted hole of the mounting brackets, to the wall with the fasteners provided (do not tighten the screw completely)



5 Place cover module

Place the cover module loosely and flush on the side modules

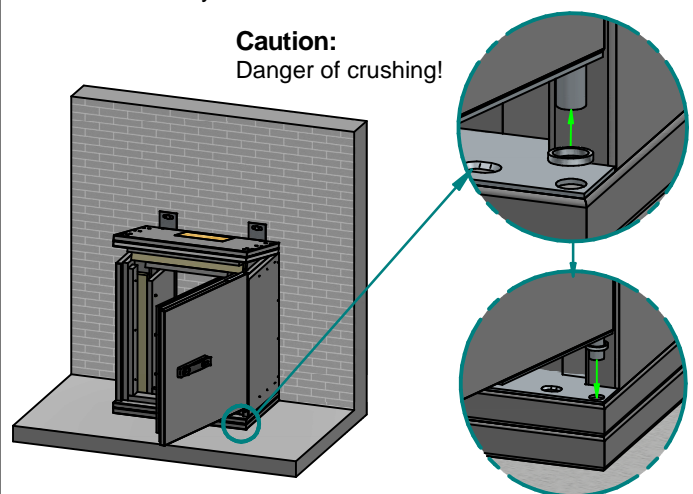
Possible aid:
mounting support



6 Hook in closure module

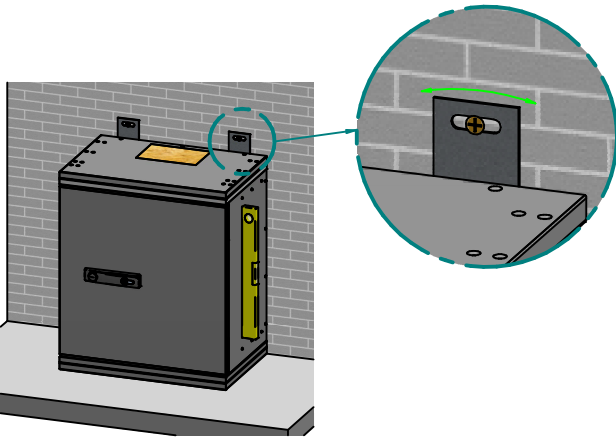
- Lift the cover module at least 1 cm at the front edge
- Place the hinge ring on the hinge pin
- Insert the hinge pin into the counterpart of the base module and then carefully lower the cover module

Caution:
Danger of crushing!



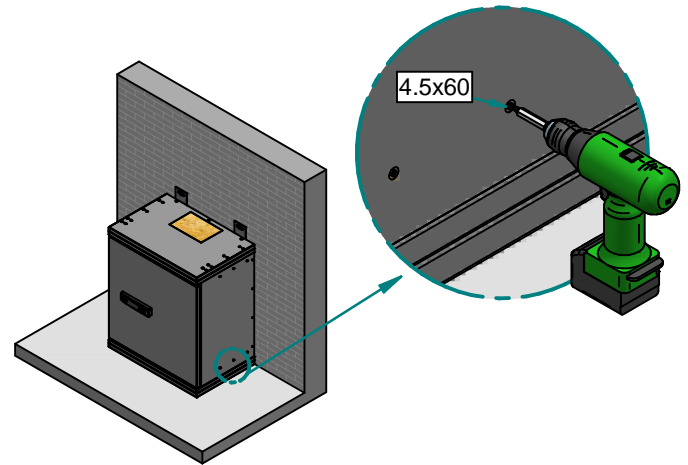
7 Aligning and fixing the system

Align the Violation Modus 90 via slotted holes in the mounting brackets so that the closure can be moved easily and the system is level.



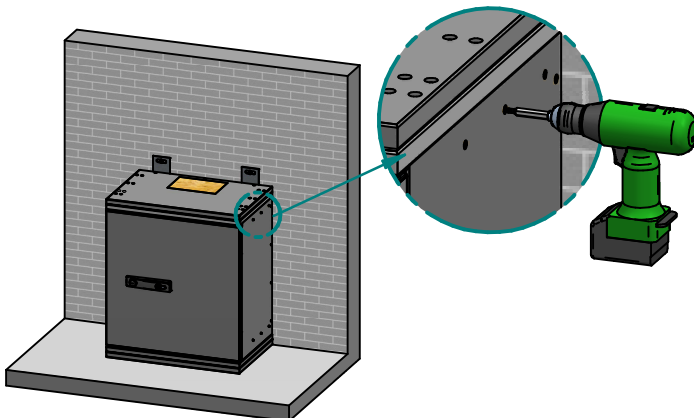
8 Screw base module

Remove the lower transport securing screws. Then screw the side modules to the base module using the supplied screws.



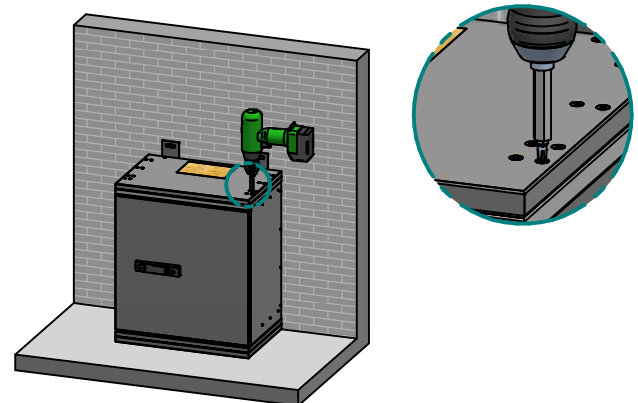
9 Screw cover module to the sides

When all modules are in level (gap dimensions evenly < 1mm between cover/module), remove the upper transport securing screws. Then screw the side modules to the cover module using the supplied screws (4.5x60).



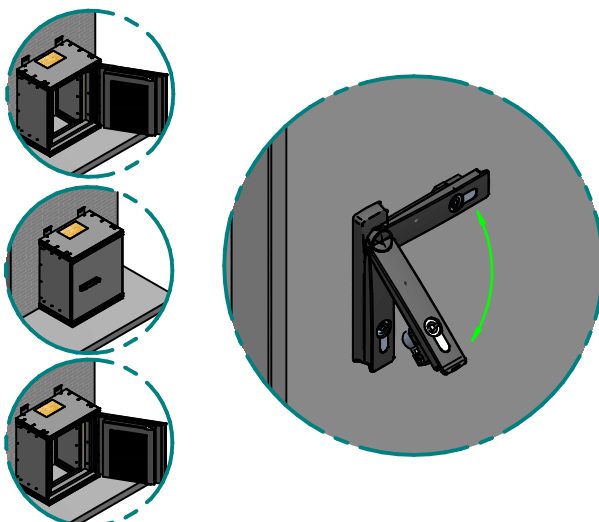
10 Screw cover module from above

Remove both double rows of transport securing screws in the cover module. Screw the side modules through the cover module from above using the supplied screws (4.5x60).



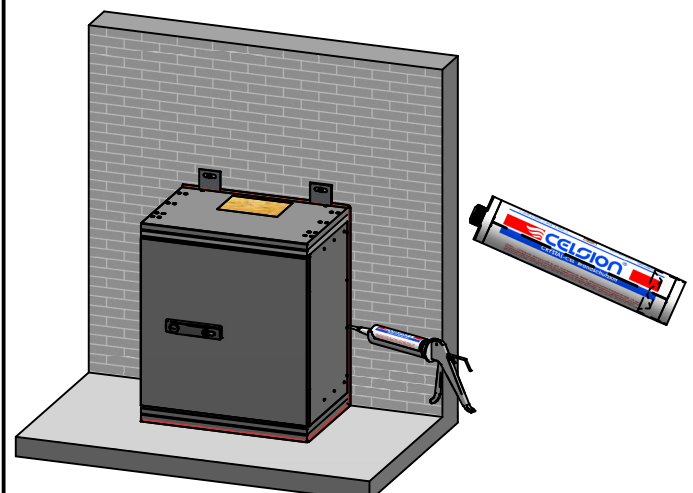
11 Check closure for ease of movement

It must be possible to open and close the enclosure easily (if necessary, open and close the swivel lever several times).



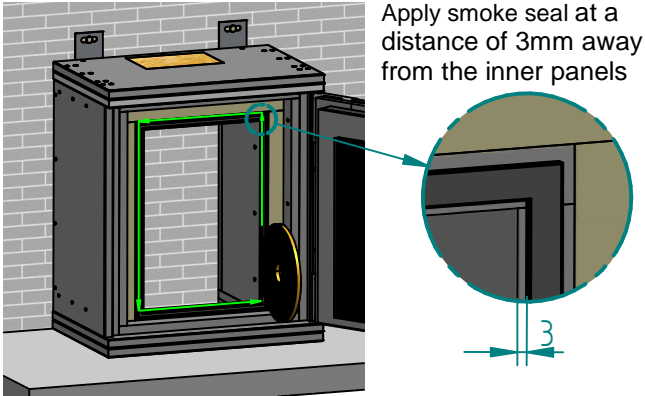
12 Seal the joints

Seal all joints between enclosure and wall, and between enclosure and floor with original Celsion Crystal Cel (on the outside)



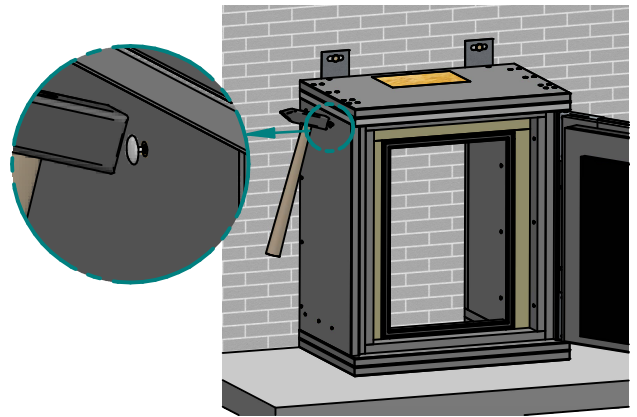
13 Applying the smoke seal

Apply the smoke seal once completely around the enclosure opening.

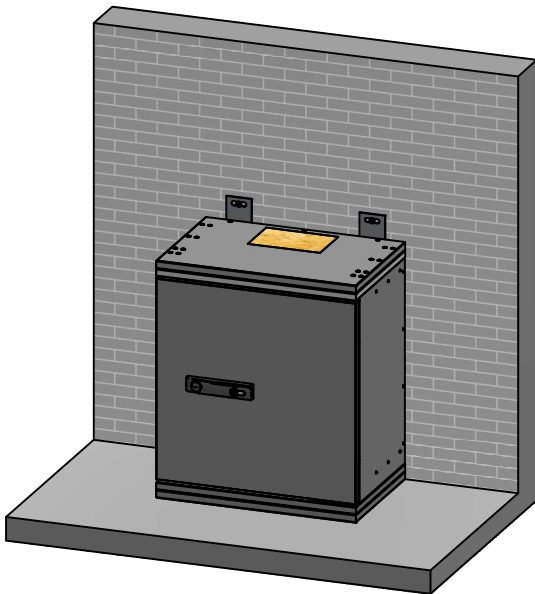


14 Attach the cover caps

Fit the cover caps onto the screws. (use a hammer if necessary)

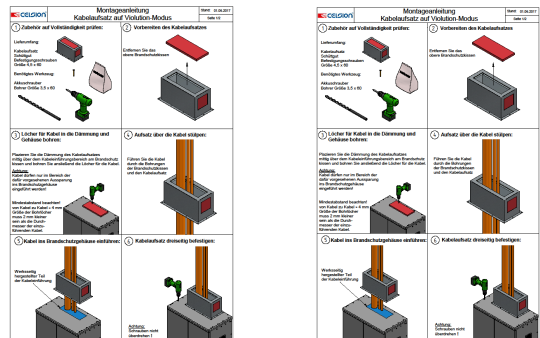


15 Final check!



16 Installing the cable attachment

see separate installation instructions "Cable attachment"...



17 Labeling according to abZ/aBg Z.-86.1-78 item 3.2.5

Brandschutzgehäuse - Typenserie: Violation Modus 90	
Brandschutzprüfung bei einer MPA	Hersteller: Celsion Brandschutzsysteme GmbH (Germany)
Entwickelt auf der Basis der Vorgaben der MfAR 2006 und IEC 60364-5-56 Punkt: General. Serie gemäß in Anlehnung an DIN 1363-1 gemäß Produktunterlagen. Die Oberflächenbeschichtung ist gem. MfAR 78 -> 2.3 mm. Brandschutzplatten nicht lieferbar. Bitte beachten Sie für den Funktionszustand die Vorgaben der MfAR 5.1.1 Weichschaltung z.B. Temperatur und Feuchtigkeit im Gehäuse. Bitte beachten Sie des Weiteren die Bedienungsanleitung.	
Umgebungsbedingungen: Die Temperatur im Raum um _____ °C um _____ Uhr beträgt _____ °C Beachtung der Obertemperatur nach VDE 0660 Teil 507 erfolgt	Herstellungsdatum: 20____ Typ: _____ Seriennummer: _____

Überstülpgehäuse „Violation Modus“ nach Zulassung/ Bauartgenehmigung Z-86. 1-78 Feuerwiderstandsdauer: 90 Minuten bei Brandbeanspruchung von außen	
Name des Errichters: _____	
Herstellungsjahr: _____	
Zulassungsinhaber: Celsion Brandschutzsysteme GmbH, Germany.	

