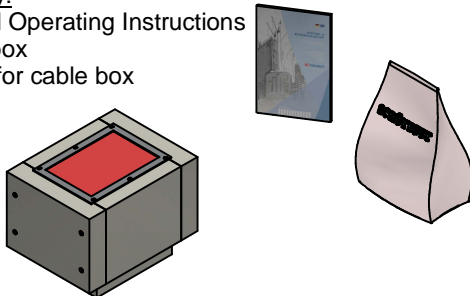


1 Check accessories for completeness:

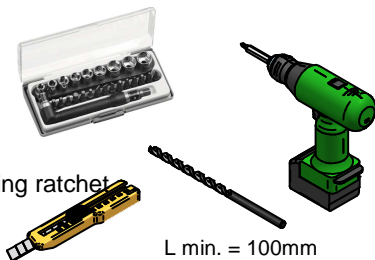
Scope of delivery:

- A. Assembly and Operating Instructions
- B. CS 90 cable box
- C. bulk material for cable box



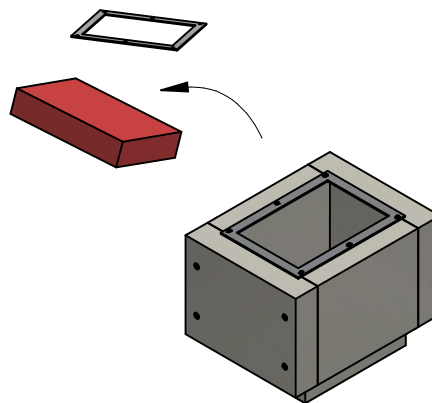
Tools required:

- Cordless screwdriver
- Cordless drill
- Utility knife
- Bit and socket set, including ratchet wrench



2 Prepare cable box

- remove cable entry sheet metal (cordless screwdriver)
- remove fire protection cushion



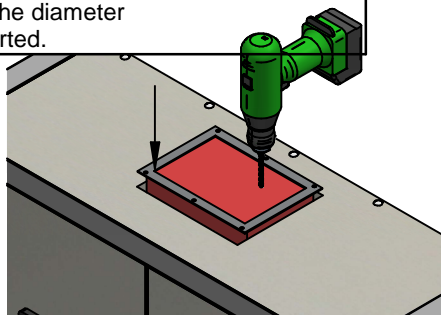
3 Drill holes for cables in the fire protection cushion and in the insulation in the top of the enclosure

- place removed sheet metal centered and fire protection cushion onto the cutout in the top of the enclosure
- pre-drill cable holes according to the desired cable position through the fire protection cushion and mineral wool

Attention:

Observe the minimum distance:

- distance from cable to edge of cable entry plate: ≥ 2 mm
- between the cables ≥ 4 mm
- The diameter of the drill holes must be 2 mm smaller than the diameter of the cables to be inserted.

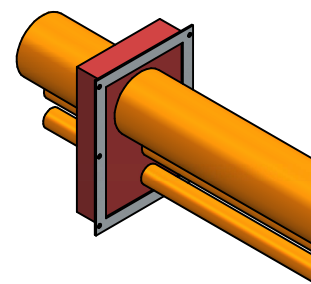


4 Route cables through the sheet metal and fire protection cushion

- route cables through cable entry sheet metal and fire protection cushion

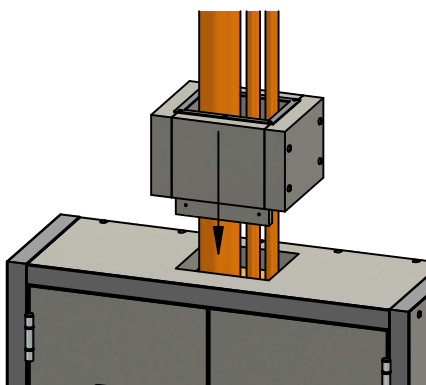
→ cables should be completely enclosed (it is permitted to split the fire protection cushion if necessary)

cable entry sheet metal



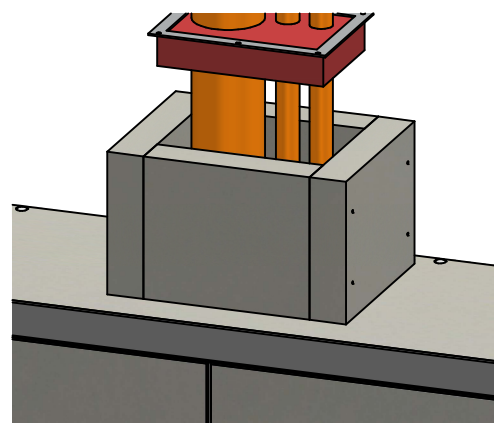
5 Place the cable box

- place the cable box so that it sits precisely and flush with the surface in the factory-cut opening



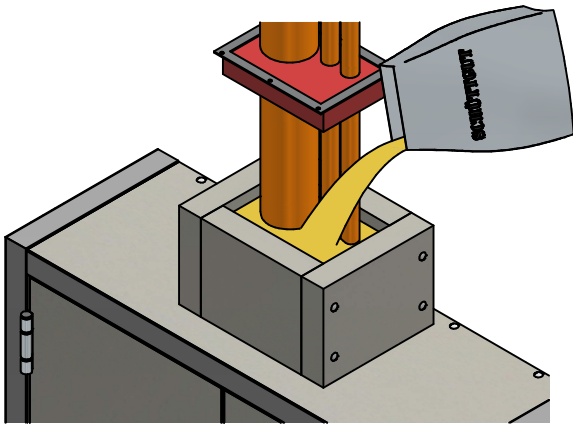
6 Route cables with cable entry sheet metal and fire protection cushion into the fire protection enclosure

- Route the cable through the pre-drilled holes from step 3 into the inside of the enclosure.



7 Pour in the bulk material around the cables into the cable box evenly

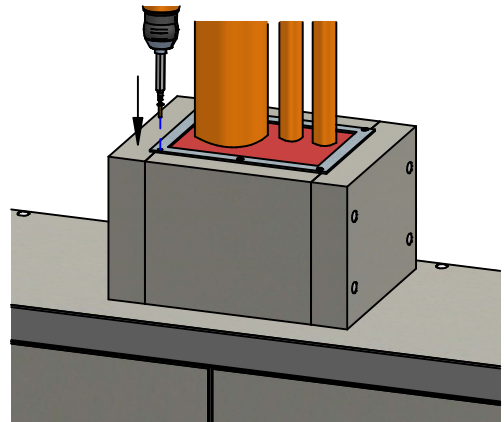
- approximately 40 mm of space should be left between the bulk material and the top edge of the cable box to accommodate the fire protection cushion



8 Screw in place cable entry sheet metal

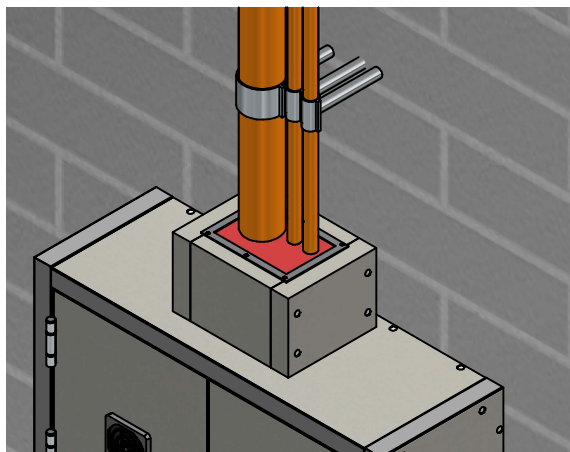
- reattach the cable entry plate with the screws removed in step 2

6 pcs.,
3.9x19
round-head screw



9 Attach the cables to the wall

- Secure the cables to the wall according to the applicable standards (illustration for demonstration purposes only)



10 Final check

- Check the position of the fire protection cushion and cable box
- Check that the cable box is flush with the factory-cut opening

